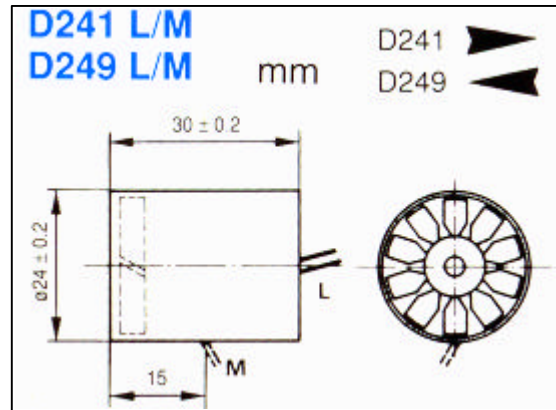


Vaneaxial

FAN MODEL # D241 L/M / D249 L/M

Vaneaxial | [Brushless DC](#) | [Centrifugal Blowers](#) | [Cross Flow Fans](#) | [Order](#)

- About Us
- Models/Applications Examples
- Products
- Order & Delivery Info
- Contact Us/Email
- Application Questionnaire
- Fan of the Month
- HOME
BACK



SPECIFICATIONS:

SIZE 0.95 x 1.18 INCHES
 VOLTAGE 6 / 12 / 24
 SHAPE CYLINDRICAL
 WATTS 0.3
 RPM 12,500 / 14,500
 CFM 3.2
 MBAR 0.65-0.75
 LIFE 5000 HOURS
 NOISE 37 / 43 DBA
 TEMP. - 20 TO + 65 C
 BEARINGS SLEEVE
 WEIGHT 16 GRAMS
 PLASTIC POLYPHENYLENE OXIDE

APPLICATIONS:

- 1) AIR SAMPLING
- 2) DENTAL UV LAMP COOLING
- 3) SPOT COOLING
- 4) AIR VELOCITY SENSOR
- 5) PLANT CHAMBER AIR CIRCULATOR
- 6) INCUBATOR AIR CIRCULATOR

NOTES:

- 1) MANY SPECIAL UNITS ARE ALSO AVAILABLE.
- 2) L-LEADS EXITS END OF HOUSING.
- 3) M-LEADS EXIT MIDDLE OF HOUSING.
- 4) LEAD TERMINATIONS PER CUSTOMER SPECIFICATIONS.

CURRENT PRICING \$ 35.49 EA./1000pcs.